

FLEX PARTS LIST

POST[®]



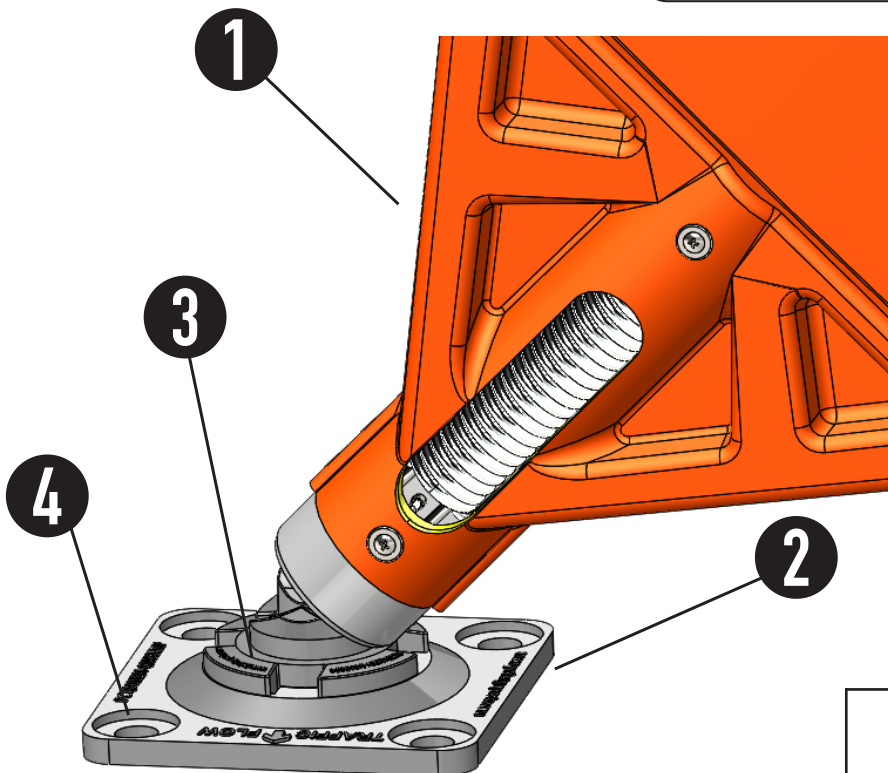
29.5" x 4.5" Decals Sold Separately

- 1 1 Delineator Paddle
- 2 1 Turn & Lock Base Plate
- 3 1 Set Screw

4 Anchoring System



CHOICE OF CONCRETE, ASPHALT, OR ADHESIVE ANCHORING
REFER TO THE NEXT PAGE FOR ANCHORING INSTRUCTIONS



Available
Decals:



FlexPost SM[™]

EXPLODED VIEW - DP