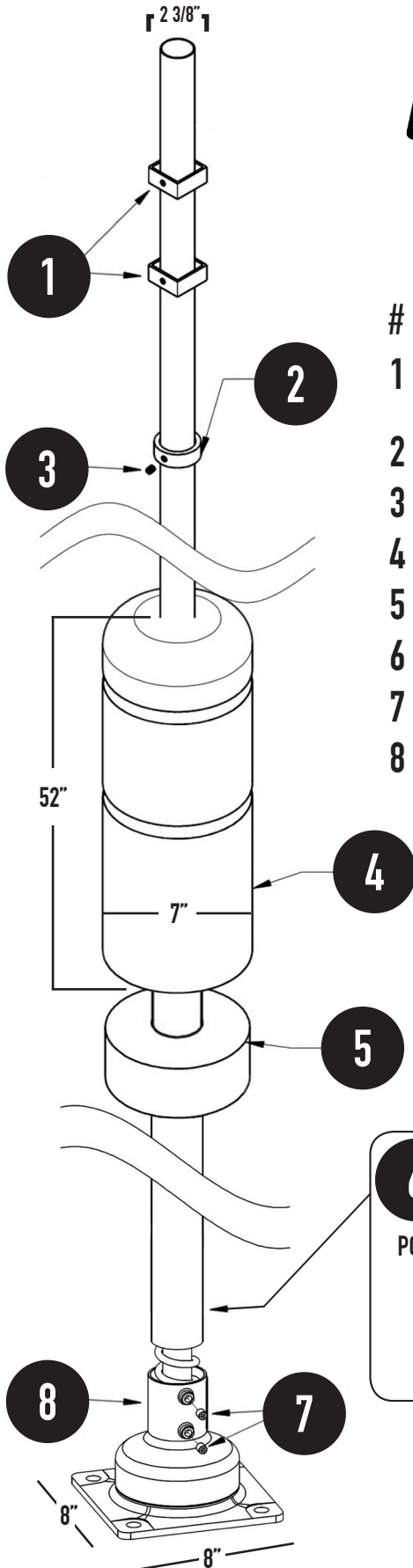


FLEX POST[®]

ASSEMBLY GUIDE & PARTS LIST



#	Quantity	Part Number	Dimensions & Description
1	1	RE-SB	Double Sided Sign Bracket Kit (Includes 2 Sign Brackets, 4 Set Screws, and 4 Lock Nuts)
2	1	RE-CK3	3" Round Collar Ring
3	1	73278	Set Screw for Collar
4	1	RE-BC52	52" x 7" Bollard Cover
5	1	RE-FR-7	7" Foam Spacer Ring
6	1	RE-XL-#P	2 3/8" Diameter Galv. Post - .055" Wall
7	2	1139864	5/16" - 18 x 1/2" Set Screw
8	1	A-XL-SK	8" x 8" Base & Spring Assembly

CHOICE OF CONCRETE OR ASPHALT ANCHORING
REFER TO THE NEXT PAGE FOR ANCHORING INSTRUCTIONS

6 CHOICE OF POST

POST LENGTH	ASSEMBLED HEIGHT
75"	78"
99"	102"
105"	108"



+ SIGN
+ BOLLARD

