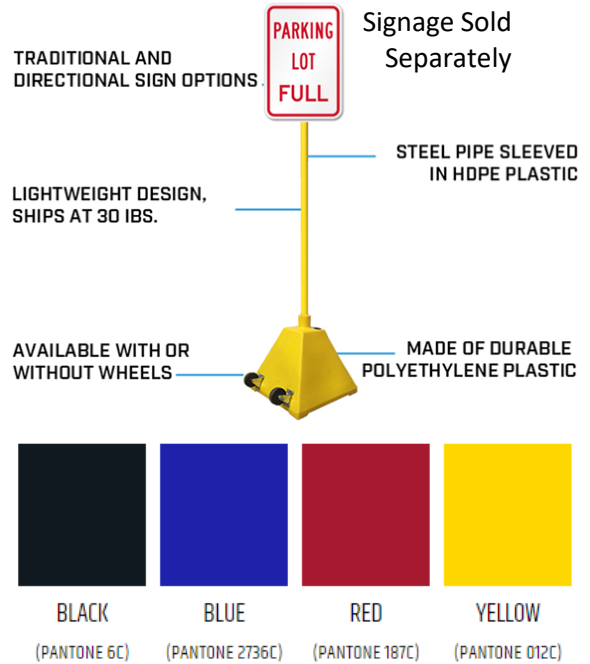


FlexPost-SM™

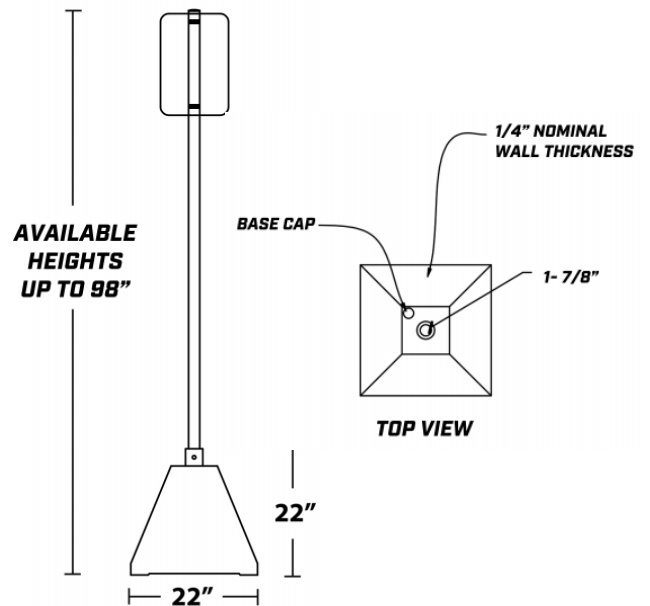
Pyramid Sign Base System

- Ultra-Portable – Ideal for quick deploy, temporary parking lot situations
- Tough – base withstands freezing conditions and sign post is made of 14 gauge steel in a HDPE plastic sleeve
- Takes minutes to install – no special tools required
- Sign brackets included
- Option for wheels



SPECIFICATIONS

- **Base Dimensions:** 22" H x 22" W x 22" D.
- **Base Material:** 1/4" nominal wall thickness. Low-density polyethylene thermoplastic with ultra-violet and anti-static additives.
- **Sign Post Material:** 1.66 OD 14 gauge steel sleeved in HDPE plastic. 1.9" OD with plastic cap. Sign holes can be field drilled.
- **Base Colors:** Black, Blue, Red or Yellow. (Post colors match base).
- **Height:** 98" from ground to top of post.
- **Weight:** 30 lbs. with post when empty; 175 lbs. + when filled.
- **Sign Brackets:** Includes a set of 2 double-sided sign brackets.
- **Wheels:** Options for no wheels or set of 2 wheels included.
- **Signage:** Accommodates standard sized signs. Sold separately.
- **Installation:** Fill with concrete, sand or water. Holds up to 250 lbs. of sand or gravel or up to 22 gallons of water (16 gallons below freezing temperatures).



2236 112th Ave., #80 · Holland, MI 49424
888-307-6610 · flexpostinc.com
Email: sales@flexpost.net