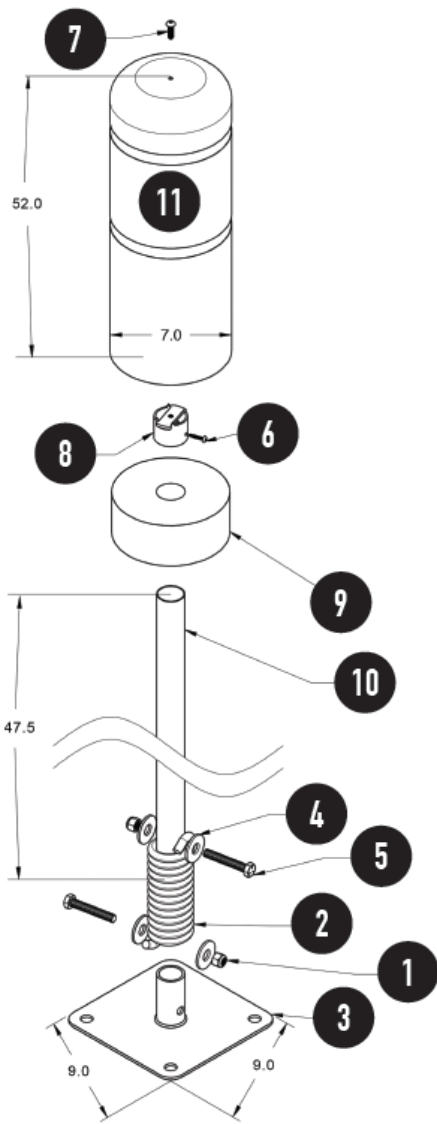
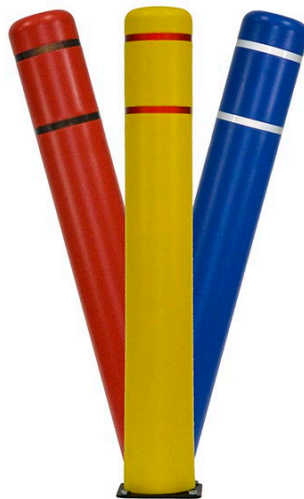


FlexBollard™

Standard Flexible Bollard



#	Qty	Part #	Description
1	2	37030	1/2" – 13 Lock Nut – Zinc
2	1	RE-SK	Patented Torsion Spring
3	1	RE-BP	9 x 9" Square Base Plate
4	4	33012	1/2" x 1.375" Flat Washer - Zinc
5	2	13824	1/2" – 13 x 3" Tap Bolt - Zinc
6	1	11253669	10 x 1/2" Self Tapping Screw
7	1	73780	5/16" – 18 X 1" Cap Screw
8	1	RE-CP	Anti-Rotate Bollard Cap
9	1	RE-FR-7	7" Foam Spacer Ring
10	1	RE-47P	1 5/8" x 47.5" Galv. Steel Post - .055
11	1	RE-BC52	52 x 7" Bollard Cover



Installation Guides:
flexpostinc.com/install



Anchoring Options





FlexPost[®] Quick Start Guide

Step 1: Secure the Base

STANDARD



XL



Types of Anchoring Hardware and Tools Required for Mounting

Asphalt



3/4" Masonry Drill Bit
15/16" Ratchet

Heavy Duty Asphalt



3/8 Cup of Water
7/8" Masonry Drill Bit
9/16" Ratchet

Concrete



High Speed Drill
1/2" Masonry Drill Bit
3/4" Ratchet

Adhesive



Standard Caulk Gun

Ground



3/4" Wrench
3/4" Ratchet

XL Ground



Quick Setting Cement
2 x 1/2" Ratchet

Step 2: Attach Spring [Standard] Insert Set Screw [XL]

STANDARD

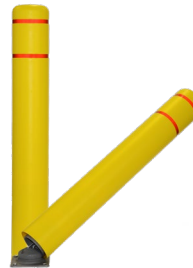


1/2" Ratchet

XL



Step 3: Install Bollard (If Applicable)



Step 4: Attach Sign Brackets



Anchoring/Installation/Warranty Info

flexpostinc.com/install

