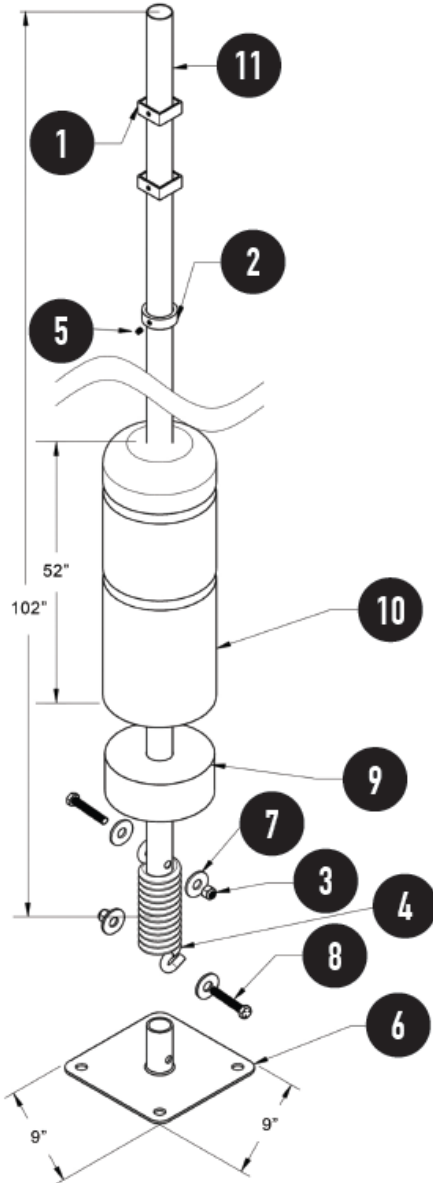


# FlexBollard™

## Standard Flexible Bollard with 8' Sign Post



#	Qty	Part #	Description
1	1	RE-SB	Double Sided Sign Bracket
2	1	RE-CK225	2.25" Round Collar Ring
3	2	37030	1/2" - 13 Lock Nut - Zinc
4	1	RE-SK	Patented Torsion Spring
5	1	73278	5/16" - 18 x 3/8" Set Screw
6	1	RE-BP	9 x 9" Square Base Plate
7	4	33012	1/2" x 1.375" Flat Washer - Zinc
8	2	13824	1/2" - 13 x 3" Tap Bolt - Zinc
9	1	RE-FR-7	7" Foam Spacer Ring
10	1	RE-BC52	52 x 7" Bollard Cover
11	1	RE-8P	1 5/8" x 8' Galv. Steel Post - .055 (6' Post Available Upon Request)

### Anchoring Options



### Installation Guides:

[flexpostinc.com/install](http://flexpostinc.com/install)





# FlexPost<sup>®</sup> Quick Start Guide

## Step 1: Secure the Base

STANDARD



XL



### Types of Anchoring Hardware and Tools Required for Mounting

#### Asphalt



3/4" Masonry Drill Bit  
15/16" Ratchet

#### Heavy Duty Asphalt



3/8 Cup of Water  
7/8" Masonry Drill Bit  
9/16" Ratchet

#### Concrete



High Speed Drill  
1/2" Masonry Drill Bit  
3/4" Ratchet

#### Adhesive



Standard Caulk Gun

#### Ground



3/4" Wrench  
3/4" Ratchet

#### XL Ground



Quick Setting Cement  
2 x 1/2" Ratchet

## Step 2: Attach Spring [Standard] Insert Set Screw [XL]

STANDARD

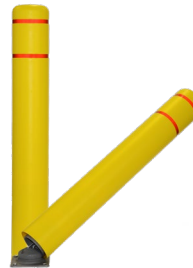


1/2" Ratchet

XL



## Step 3: Install Bollard (If Applicable)



## Step 4: Attach Sign Brackets



**Anchoring/Installation/Warranty Info**

[flexpostinc.com/install](http://flexpostinc.com/install)

